

REV.	REV. DESCRIPTION	DATE	SIGN

SINGLE LINE DIAGRAM
EXAMPLE



SECONDARY SUBSTATION

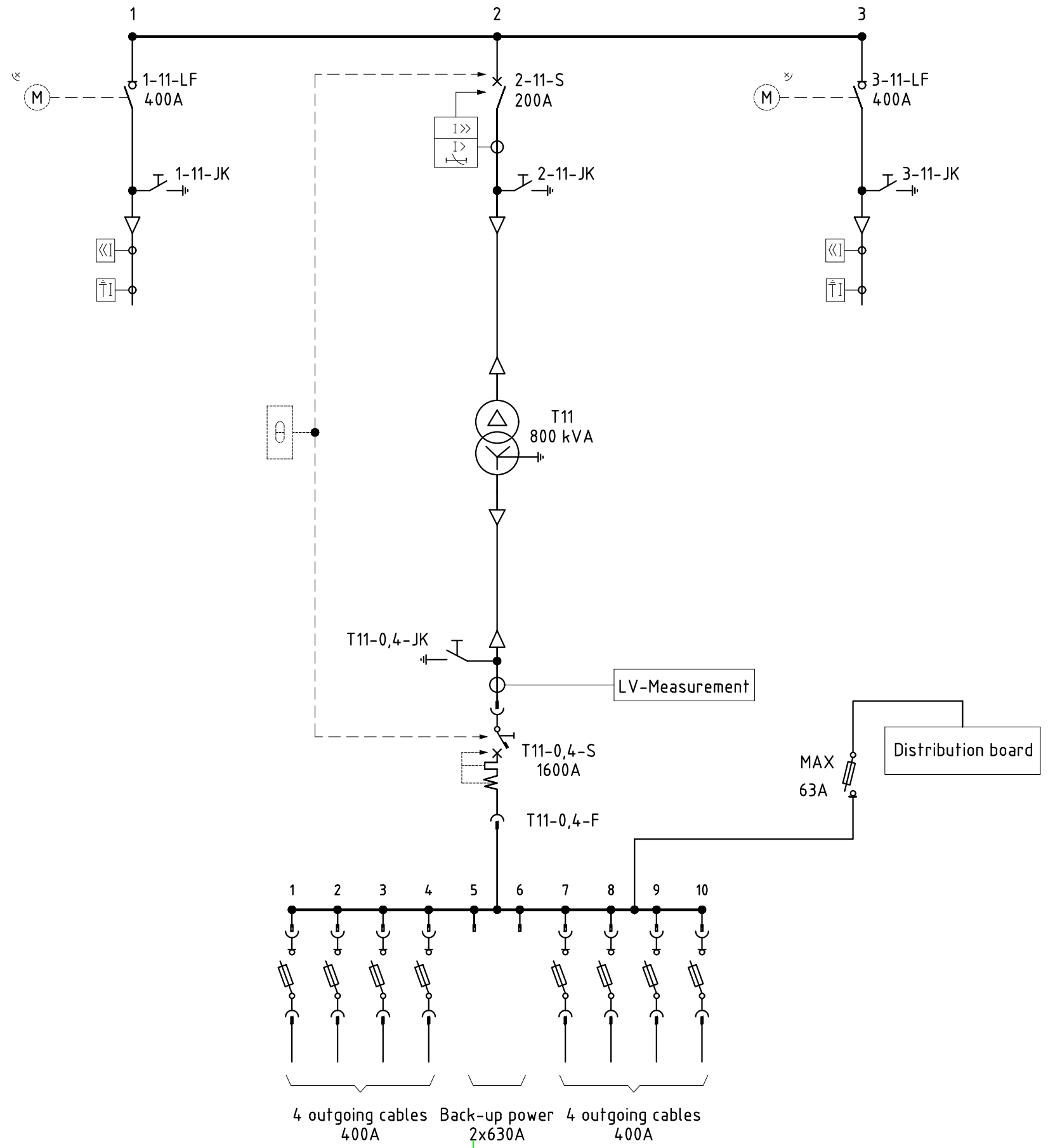
SINGLE LINE DIAGRAM

Type 006 CTC 12 kV

Attachment 1

CONSTR.	KJS	DRW.	KJS
CHECK.	SWg	APPR.	SWg
		DATE	2021-09-20

SHEET	1
NEXT SHEET	-



Motorization of switch disconnecter optional depending on order