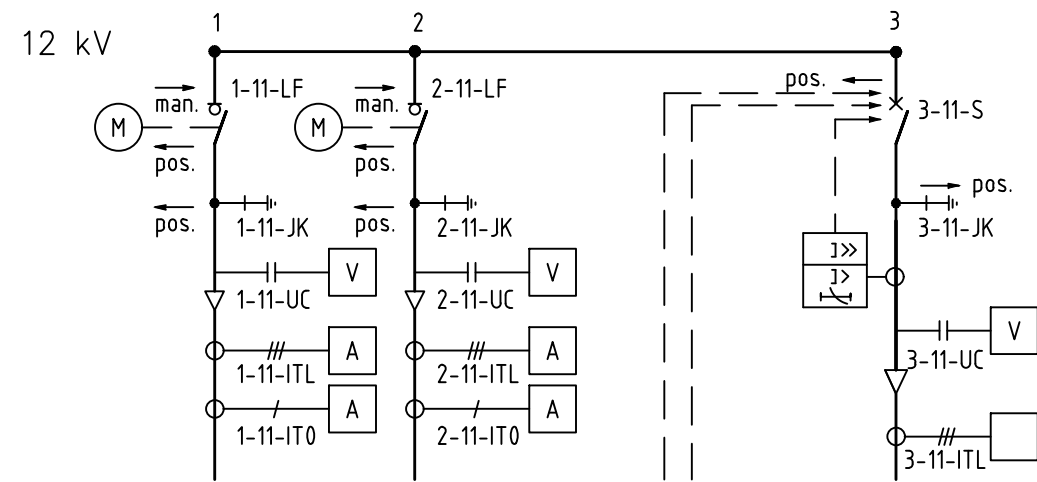


NOT	ÄNDRING	INFÖRD	SIGN	EXAMPLE Switchgear 12 & 24 kV MV Type 4	ELLEVIO	SECONDARY SUBSTATION		Attachment 4
						KONSTR. KJS	RIT. KJS	SWITCHGEAR
					KOLL. HRo	GODK.	Single-line diagram	BLAD 1
					SKALA	DAT. 2023-10-23		FORTS.BLAD -



Tripping from temperature indicator and arc protection.

- Motor driven breaker/load disconnecter, controlled by the RTU
- Three phase voltage measurement connected to the RTU
- Current measurement connected to the RTU
- Maneuver from RTU
- Double point position of Breaker/Load disconnecter